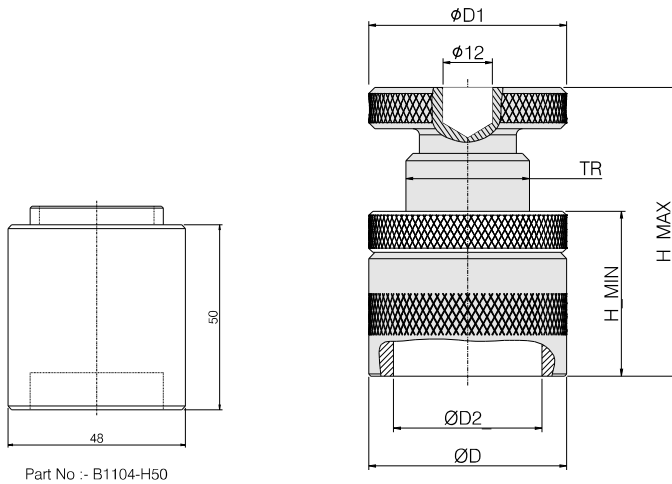


B1103 - Screw Jack

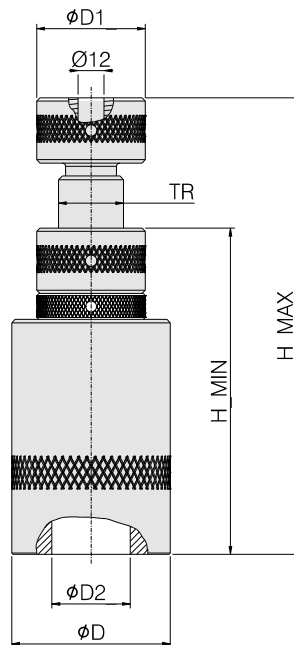


Part No :- B1104-H50



Part No.	Size	H-min	H-max	TR	ϕD	$\phi D1$	$\phi D2$	F-max (KN)	Weight (Kg)
B1103-40-50	50	40	50	30X4	48	48	38X2	100	0.500
B1103-50-70	70	50	70	30X4	48	48	38X2	100	0.580
B1103-70-100	100	70	100	30X4	48	48	38X2	100	0.890
B1103-100-150	150	100	150	30X4	48	48	-	120	1.30

B1105 - Screw Jack with Lock Nut



Part No.	Size	H-min	H-max	TR	ϕD	$\phi D1$	$\phi D2$	F-max (KN)	Weight (Kg)
B1105-150-230	230	150	230	30X4	73	50	-	170	4.0