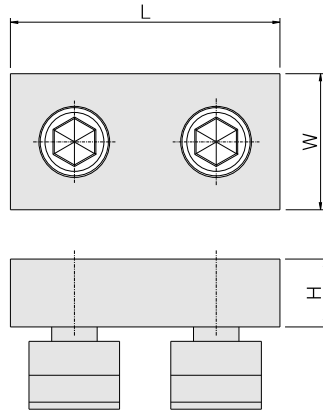


B1028 - Stopper For T-Slot Clamps

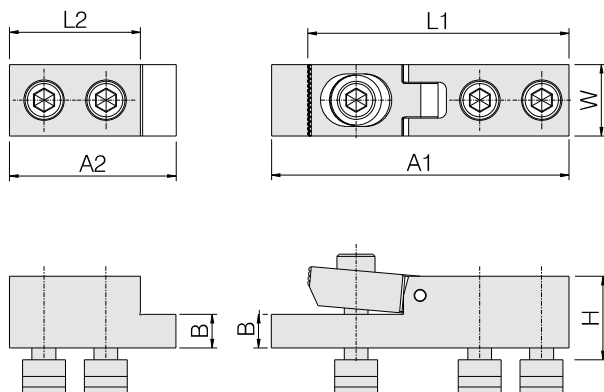
- ▶ Tempered steel
- ▶ Blackened



Part No.	Suitable for T-slot size	L	W	H	Weight (Kg)
B1028-12-55	12	55	30	15	0.23
B1028-14-55	14				0.28
B1028-16-66	16	66	38	18	0.53
B1028-18-66	18				0.54
B1028-20-95	20	95	48	24	0.93
B1028-22-95	22				1.23
B1028-24-95	24				1.26
B1028-28-95	28				1.52
B1028-18-95	18	95	62	38	1.87
B1028-20-95	20				1.88
B1028-22-95	22				1.89
B1028-24-95	24				2.19
B1028-28-95	28				2.45

B1029 - Medium Duty T-Slot With Stopper & Step

- ▶ Tempered steel
- ▶ Blackened



Part No.	Suitable for T-slot size	A1	A2	L1	L2	W	H	B	Weight (Kg)
B1029-12-125	12	125	70	110	55	30	30	14	1.37
B1029-14-125	14								1.46
B1029-16-160	16	160	86	140	66	38	38	19	2.78
B1029-18-160	18								2.98