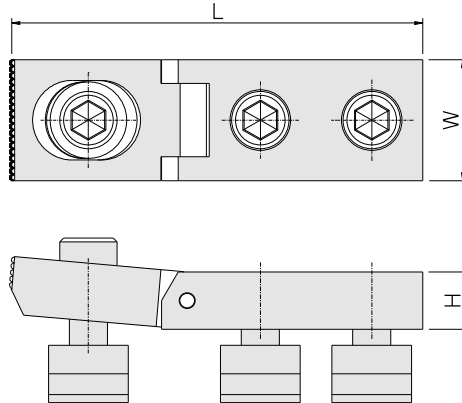


B1026 - Medium Duty T-Slot Clamps

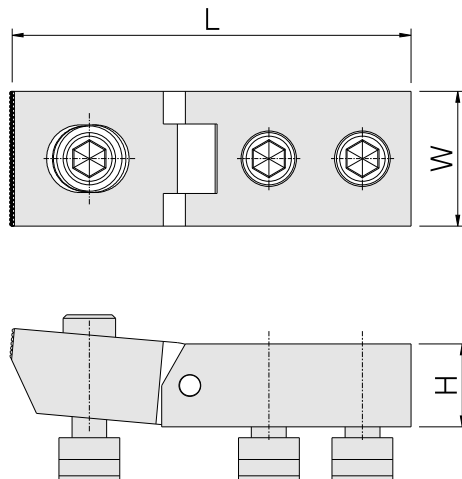
- ▶ Tempered steel
- ▶ Blackened



Part No.	Suitable for T-slot size	L	W	H	Weight (Kg)
B1026-12-105	12	105	30	15	0.42
B1026-14-105	14				0.45
B1026-16-130	16	130	38	18	0.93
B1026-18-130	18				1.02
B1026-20-175	20	175	48	24	1.67
B1026-22-175	22				2.35
B1026-24-175	24				2.38
B1026-28-175	28				2.75

B1027 - Heavy Duty Pinch Clamp

- ▶ Tempered steel
- ▶ Blackened



Part No.	Suitable for T-slot size	L	W	H	Weight (Kg)
B1027-18-185	18	185	62	38	3.44
B1027-20-185	20				3.47
B1027-22-185	22				3.43
B1027-24-185	24				4.05
B1027-28-185	28				4.40