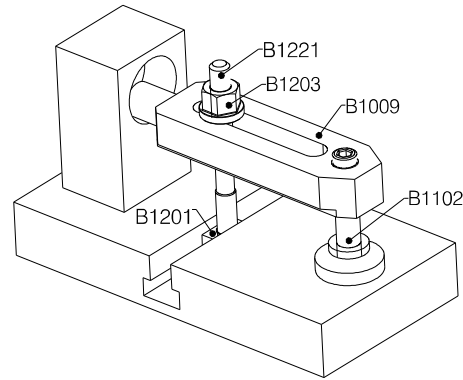
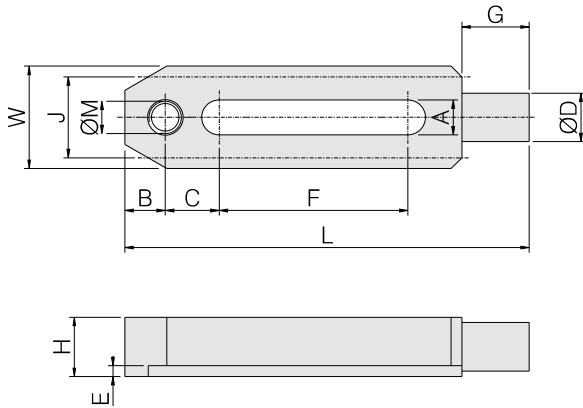


B1009 - Tapped Nose Clamp

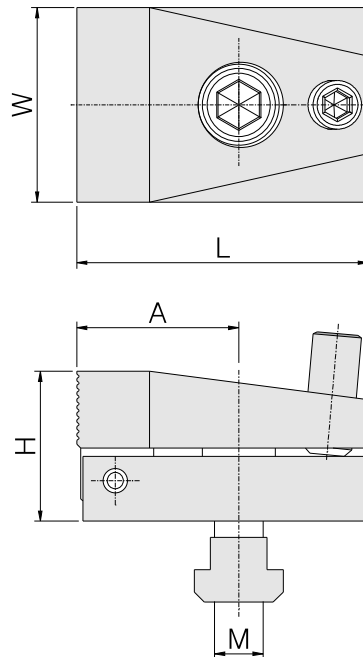
- ▶ Tempered steel
- ▶ Blackened



Part No.	A	L	For clamping screw	W	H	ØM	B	C	ØD	E	F	G	J	Weight (Kg)
B1009-12-150	13	150	M12	38	24	M12	15	20	18	4	70	25	30	0.62
B1009-16-200	17	200	M16	48	30	M16	20	25	24	5	90	35	40	1.52
B1009-20-250	21	250	M20	60	38	M20	30	35	28	6	110	40	50	2.7

B1023 - Side Clamp

- ▶ Case Hardened Steel
- ▶ Blackened



Part No.	Suitable for T-slot size	ØM	L	W	H	A	Stroke	Weight (Kg)
B-1023-14-72	14	M12	72	48	37	40	4	0.82
B-1023-18-86	18	M16	86	68	47	41	7	1.80