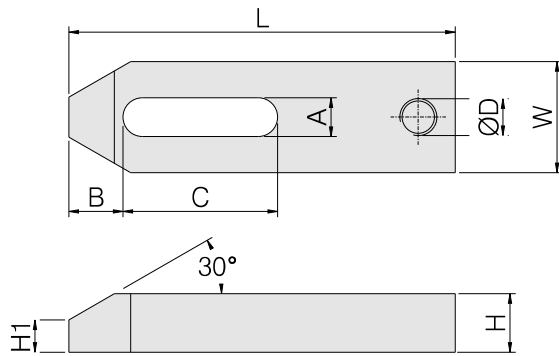


B1001 - Strap Clamp flat

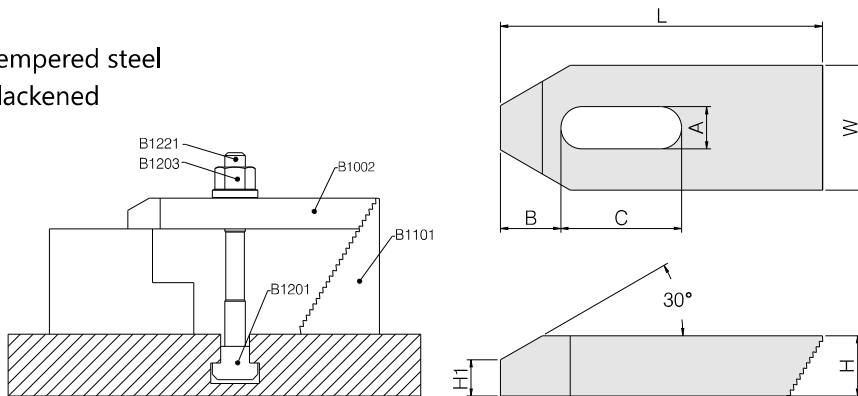
- ▶ Tempered steel
- ▶ Blackened



Part No.	A	L	For clamping screw	w	H	H1	ØD	B	C	Weight (Kg)
B1001-8-60	8.5	60	M8	24	12	7	M8	13	22	0.1
B1001-10-80	10.5	80	M10	30	15	9	M10	15	30	0.22
B1001-12-100	13	100	M12	38	18	12	M12	21	40	0.42
B1001-12-125	13	125	M12	38	18	12	M12	21	50	0.54
B1001-14-125	15	125	M14	48	24	15	M14	26	45	0.9
B1001-16-125	17	125	M16	48	24	15	M16	26	45	0.89
B1001-16-160	17	160	M16	48	24	16	M16	26	65	1.16
B1001-20-160	21	160	M20	62	30	18	M20	30	60	1.86
B1001-20-200	21	200	M20	62	30	18	M20	30	80	2.34
B1001-24-200	25	200	M24	72	38	21	M24	35	80	3.37
B1001-24-250	25	250	M24	72	38	21	M24	35	100	4.30
B1001-30-250	31	250	M30	72	48	28	M30	45	100	5.31

B1002 - Stepped Strap Clamp

- ▶ Tempered steel
- ▶ Blackened



Part No.	A	L	For clamping screw	W	H	H1	B	C	Weight (Kg)
B1002-10-60	10.5	60	M10	30	15	9	15	20	0.15
B1002-10-80	10.5	80	M10	30	15	9	15	30	0.21
B1002-10-120	10.5	120	M10	30	15	9	15	45	0.34
B1002-12-65	12.5	65	M12	30	15	9	15	25	0.16
B1002-12-100	12.5	100	M12	38	18	12	21	35	0.41
B1002-12-125	12.5	125	M12	38	18	12	21	45	0.53
B1002-16-75	17	75	M16	38	18	12	21	32	0.28
B1002-16-125	17	125	M16	48	24	15	26	45	0.85
B1002-16-160	17	160	M16	48	24	15	26	65	1.10
B1002-20-160	21	160	M20	62	30	18	30	60	1.74
B1002-24-200	25	200	M24	72	38	21	35	80	3.2